



Custom Toyota Truck Tube Works

•5801 Pleasant Valley Road
•Platteville, WI 53818
•Phone: (608) 348-4880
•Web: <http://4xinnovations.com>
•Email: Adam@4xinnovations.com

5th Gen 4Runner Skid Pack List

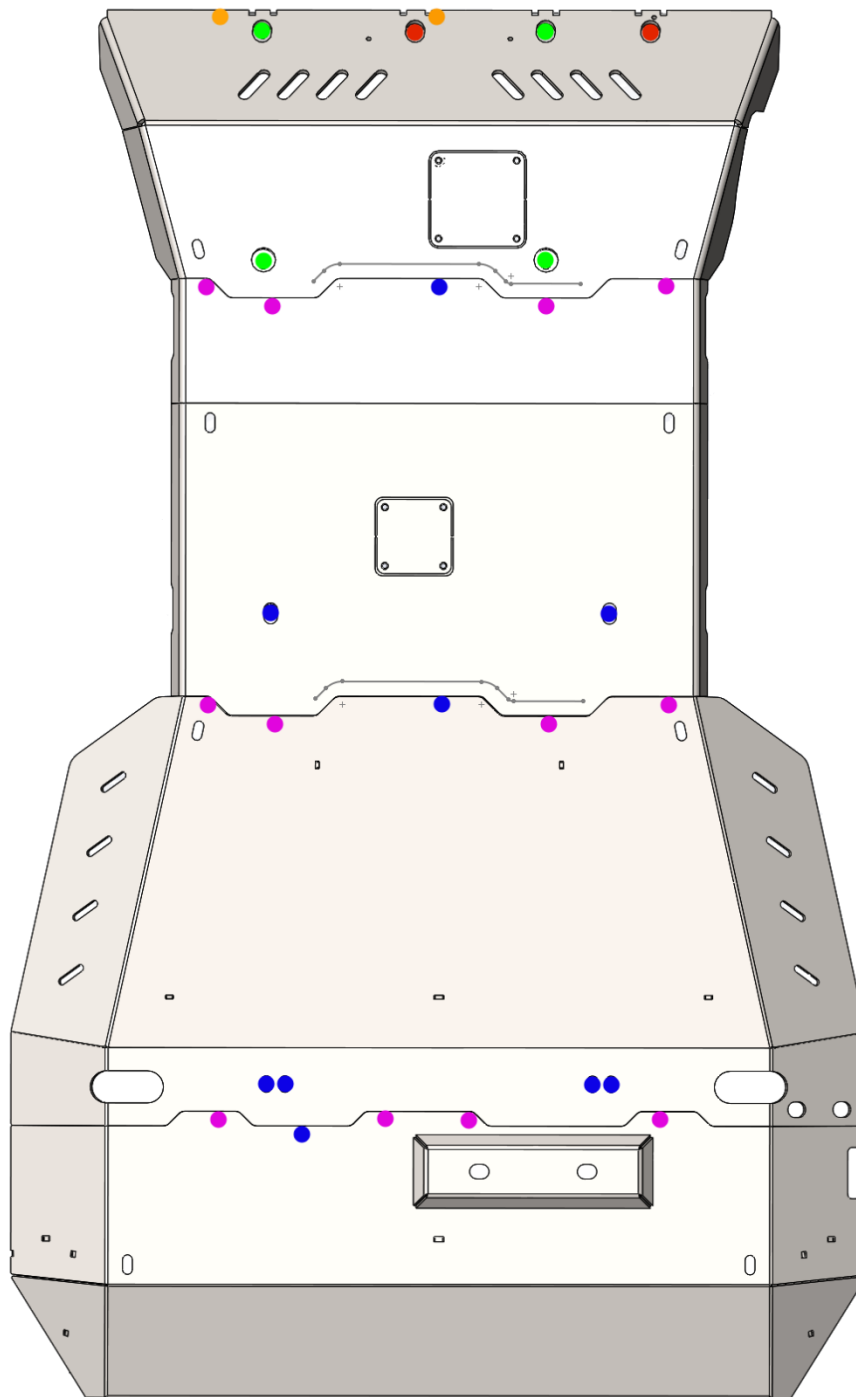
	total full kit
Front Skid	1
Engine Skid	1
M8 x 1.25 x 20mm Countersunk Bolt	8
M8x1.25x30mm Button Head Bolt	9
M8x1.25x16mm Button Head Bolt	13
M8x1.25x10mm Button Head Bolt	3
5/16" Flat Washer SS	3
G5 4Runner Trans Skid	1
G5 4Runner Transfercase Skid	1
Driver Side Frame Mount Plate	1
Pass Side Frame Mount Plate	1
3/8" x 3/4" Bolt Gr2 Zinc	4
3/8" Flat Washer Gr2 Zinc EA	4
3/8-16x1/2 G8 Bolt (If you don't have 4x I sliders)	4
M8x1.25x30mm Grade 10.9 Hex Flange Bolt (if you don't have 4x I sliders)	2
1/2x5 gr8 bolt and matching hw (if you don't have 4x I sliders)	1



Custom Toyota Truck Tube Works

•5801 Pleasant Valley Road
•Platteville, WI 53818
•Phone: (608) 348-4880
•Web: <http://4xinnovations.com>
•Email: Adam@4xinnovations.com

Skid Plate Bolt Layout Diagram



- The orange dots are the M8x10mm bolts
- The red dots are the stock M8 bolt
- The green dots are the stock M10 bolts
- The purple dots are M8x16 bolts
- The blue dots are the M8x30 bolts.



Custom Toyota Truck Tube Works

- 5801 Pleasant Valley Road
- Platteville, WI 53818
- Phone: (608) 348-4880
- Web: <http://4xinnovations.com>
- Email: Adam@4xinnovations.com

Install the skids from the front to the back. Leave all parts and bolts loose to help with alignment once everything is in place.

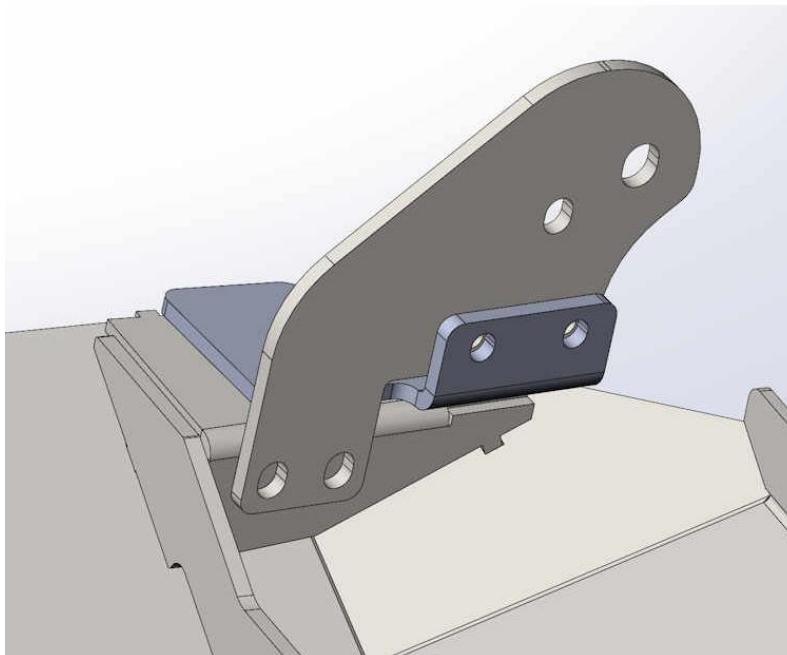
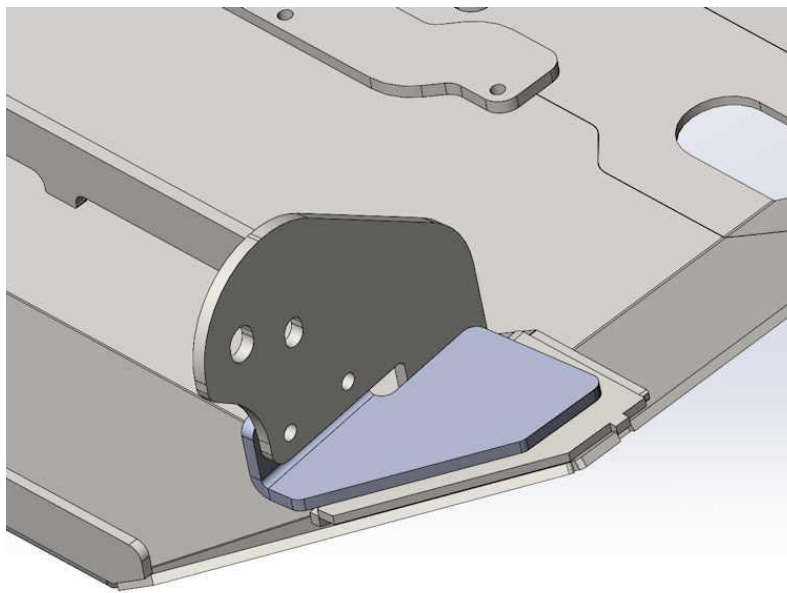
For Installing the transfer case skid without the 4x Innovations bolt on rock sliders:

Loosely bolt the inner frame plate to the no slider spacer plate using the 3/8x1/2" bolt.

Loosely bolt the inner frame plate to the transfer case skid using the 3/8x1" bolt.

Slide the skid up to the truck and loosely bolt into place. Once all the skids are aligned to the truck tighten all the bolts.

Shown is the passenger side. The driver side frame plate is shown on the next page.





Custom Toyota Truck Tube Works

- 5801 Pleasant Valley Road
- Platteville, WI 53818
- Phone: (608) 348-4880
- Web: <http://4xinnovations.com>
- Email: Adam@4xinnovations.com

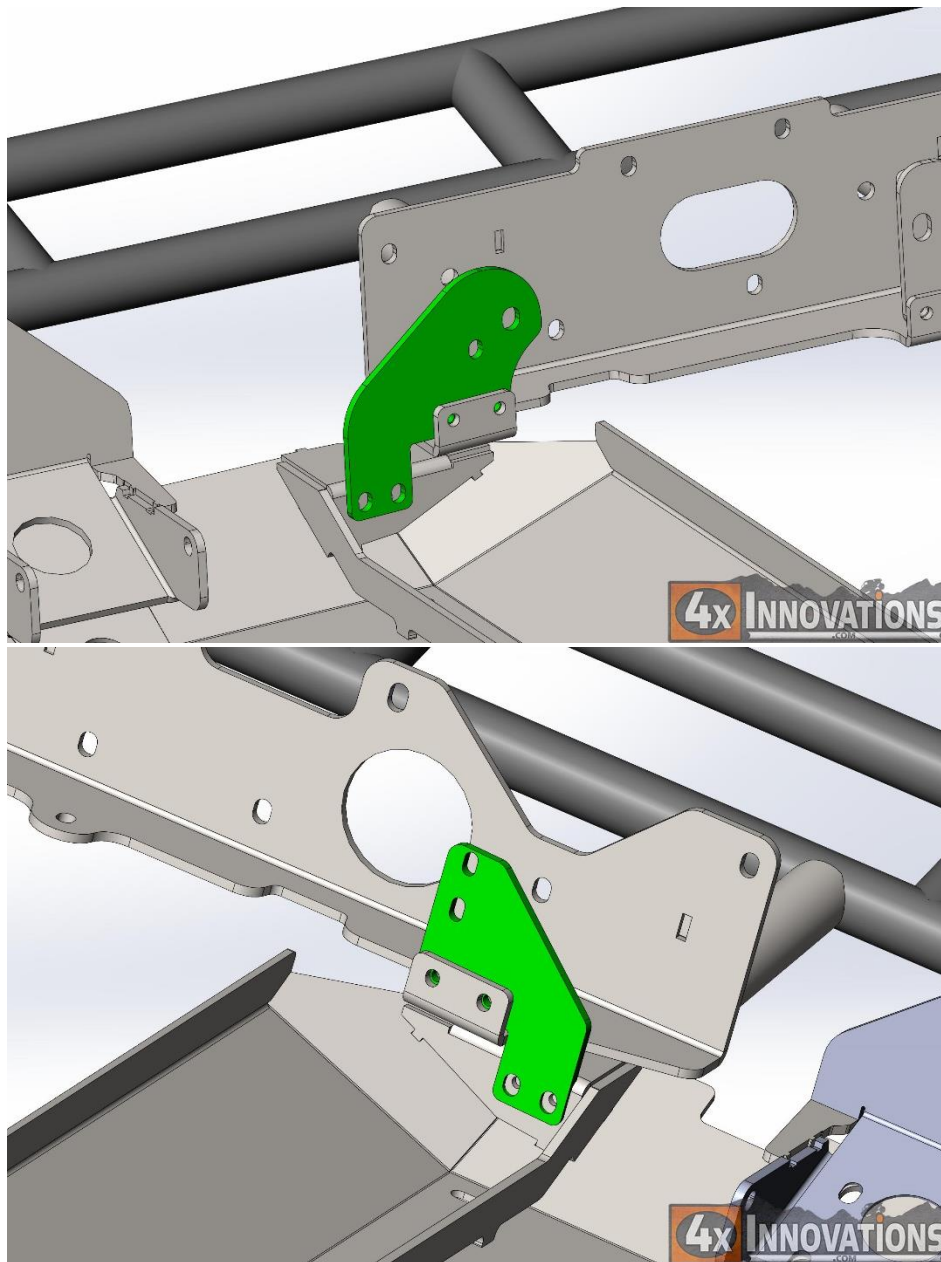
For Installing the transfer case skid with the 4x Innovations bolt on rock sliders:

Install the sliders like normal.

Loosely bolt the inner frame plate to the slider with the 3/8x1/2" bolts.

Slide the skid up to the truck and loosely bolt into place using the transmission to t-case skid bolts and the 3/8x1" bolt through the frame plates.

Once all the skids are aligned to the truck tighten all the bolts.



Passenger side frame plate shown in green
Driver side frame plate shown in green.